



## Pressure Transmitters

Thanks to highly stable electronic components, pressure transmitters can be used in applications requiring long distance signal transmission or in smart control systems.

The **TK** series of pressure transmitters are suited mainly to measure pressure in oil, air and hydraulic circuits. They are popularly used in general process measurement applications as well as for compressors, presses and mobile hydraulics.

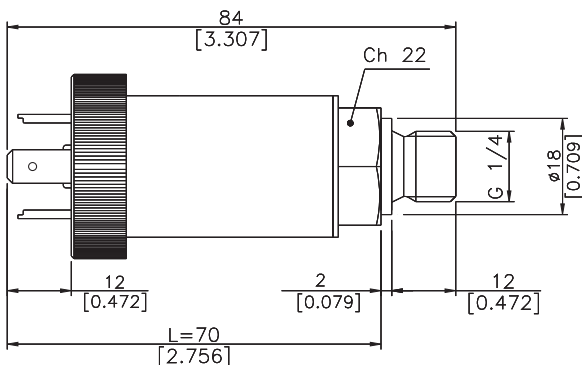
**TPFA** pressure transmitters with a flush measurement diaphragm are particularly designed to check pressure of high viscosity fluids. They are also used in the food industry, where substances must not stagnate in cavities.



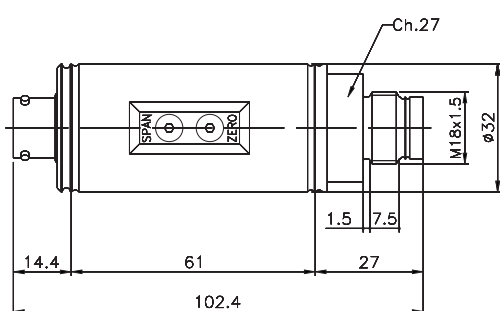
### Technical data

Model	TK	TPFA
Operating temperature	-40...+105°C	-30...+85°C
Compensated temperature range	-10...+85°C	0...+70°C
Overpressure	2 x full scale	3 x full scale
Burst test	4 x full scale	4 x full scale
Materials in contact with fluid	Inox 17-4 PH / AISI430F	Inox 17-4 PH
Power supply	10...30VDC	
Output signal	4...20mA	
Maximum current absorbtion	32mA	
Protection level	IP65	

**TK**



**TPFA**



## Pressure transmitters

Standard stock items						
stock code	pressure range	output	Thread	accuracy	response time	connection
<b>TK Series</b>						
UCGP-TKE1EN01UM	-1 to +1 bar	4-20mA	G1/4 male	0.5%	1ms	4-pole solenoid
UCGP-TKE1EN02UM	-1 to +2 bar	4-20mA	G1/4 male	0.5%	1ms	4-pole solenoid
UCGP-TKE1EN03UM	-1 to +3 bar	4-20mA	G1/4 male	0.5%	1ms	4-pole solenoid
UCGP-TKE1EN05UM	-1 to +5 bar	4-20mA	G1/4 male	0.5%	1ms	4-pole solenoid
UCGP-TKE1EN01DM	-1 to +10 bar	4-20mA	G1/4 male	0.5%	1ms	4-pole solenoid
UCGP-TKE1EB03UM	0 to +3 bar	4-20mA	G1/4 male	0.5%	1ms	4-pole solenoid
UCGP-TKE1EB04UM	0 to +4 bar	4-20mA	G1/4 male	0.5%	1ms	4-pole solenoid
UCGP-TKE1EB05UM	0 to +5 bar	4-20mA	G1/4 male	0.5%	1ms	4-pole solenoid
UCGP-TKE1EB06UM	0 to +6 bar	4-20mA	G1/4 male	0.5%	1ms	4-pole solenoid
UCGP-TKE1EB07UM	0 to +7 bar	4-20mA	G1/4 male	0.5%	1ms	4-pole solenoid
UCGP-TKE1EB01DM	0 to +10 bar	4-20mA	G1/4 male	0.5%	1ms	4-pole solenoid
UCGP-TKE1EB16UM	0 to +16 bar	4-20mA	G1/4 male	0.5%	1ms	4-pole solenoid
UCGP-TKE1EB02DM	0 to +20 bar	4-20mA	G1/4 male	0.5%	1ms	4-pole solenoid
UCGP-TKE3EB25UM	0 to +25 bar	4-20mA	G1/4 male	0.5%	1ms	4-pole solenoid
UCGP-TKE3EB03DM	0 to +30 bar	4-20mA	G1/4 male	0.5%	1ms	4-pole solenoid
UCGP-TKE3EB04DM	0 to +40 bar	4-20mA	G1/4 male	0.5%	1ms	4-pole solenoid
UCGP-TKE3EB05DM	0 to +50 bar	4-20mA	G1/4 male	0.5%	1ms	4-pole solenoid
UCGP-TKE3EB06DM	0 to +60 bar	4-20mA	G1/4 male	0.5%	1ms	4-pole solenoid
UCGP-TKE3EB01CM	0 to +100 bar	4-20mA	G1/4 male	0.5%	1ms	4-pole solenoid
UCGP-TKE3EB16DM	0 to +160 bar	4-20mA	G1/4 male	0.5%	1ms	4-pole solenoid
UCGP-TKE3EB02CM	0 to +200 bar	4-20mA	G1/4 male	0.5%	1ms	4-pole solenoid
UCGP-TKE3EB25DM	0 to +250 bar	4-20mA	G1/4 male	0.5%	1ms	4-pole solenoid
UCGP-TKE3EB35DM	0 to +350 bar	4-20mA	G1/4 male	0.5%	1ms	4-pole solenoid
UCGP-TKE3EB04CM	0 to +400 bar	4-20mA	G1/4 male	0.5%	1ms	4-pole solenoid
UCGP-TKE3EB05CM	0 to +500 bar	4-20mA	G1/4 male	0.5%	1ms	4-pole solenoid
<b>TPFA Series</b>						
UCGP-TPFAEGVB01D	0 to +10 bar	4-20mA	M18x1.5	0.6%	8ms	6-pole
UCGP-TPFAEGVB16U	0 to +16 bar	4-20mA	M18x1.5	0.6%	8ms	6-pole
UCGP-TPFAEGVB02D	0 to +20 bar	4-20mA	M18x1.5	0.6%	8ms	6-pole
UCGP-TPFAEGVB25U	0 to +25 bar	4-20mA	M18x1.5	0.6%	8ms	6-pole
UCGP-TPFAEGVB03D	0 to +30 bar	4-20mA	M18x1.5	0.6%	8ms	6-pole
UCGP-TPFAEGVB35U	0 to +35 bar	4-20mA	M18x1.5	0.6%	8ms	6-pole
UCGP-TPFAEGVB04D	0 to +40 bar	4-20mA	M18x1.5	0.6%	8ms	6-pole
UCGP-TPFAEGVB05D	0 to +50 bar	4-20mA	M18x1.5	0.6%	8ms	6-pole
UCGP-TPFAEGVB06D	0 to +60 bar	4-20mA	M18x1.5	0.3%	8ms	6-pole
UCGP-TPFAEGVB01C	0 to +100 bar	4-20mA	M18x1.5	0.3%	8ms	6-pole
UCGP-TPFAEGVB16D	0 to +160 bar	4-20mA	M18x1.5	0.3%	8ms	6-pole
UCGP-TPFAEGVB02C	0 to +200 bar	4-20mA	M18x1.5	0.3%	8ms	6-pole
UCGP-TPFAEGVB25D	0 to +250 bar	4-20mA	M18x1.5	0.3%	8ms	6-pole
UCGP-TPFAEGVB35D	0 to +350 bar	4-20mA	M18x1.5	0.3%	8ms	6-pole
UCGP-TPFAEGVB04C	0 to +400 bar	4-20mA	M18x1.5	0.3%	8ms	6-pole
UCGP-TPFAEGVB05C	0 to +500 bar	4-20mA	M18x1.5	0.3%	8ms	6-pole
UCGP-TPFAEGVB06C	0 to +600 bar	4-20mA	M18x1.5	0.3%	8ms	6-pole
UCGP-TPFAEGVB07C	0 to +700 bar	4-20mA	M18x1.5	0.3%	8ms	6-pole
UCGP-TPFAEGVB01M	0 to +1000 bar	4-20mA	M18x1.5	0.3%	8ms	6-pole
accessories :						
UCGM-CON006	4-pole solenoid female cable connector for TK					
UCGM-CON300	6-pole female cable connector for TPFA					

unitemp reserves the right to make any kind of design or functional modification without prior notice.