



PRODUCT SPECIFICATIONS

# TC-Ambient AMBIENT SENSING THERMOSTAT

**APPLICATION**

The TC-Ambient thermostat is designed to provide ambient sensing control of electric heat tracing circuits for freeze protection of piping and vessels. This adjustable thermostat can be used to control a single heating circuit or as pilot control of a contactor switching multiple heat tracing circuits.

Indicating lamps for power-on and heater-on are visible through a transparent cover. A rugged nonmetallic enclosure, suitable for harsh industrial environments, provides watertight and dusttight protection (per IP65) to the thermostat switch. External hardware is stainless steel.

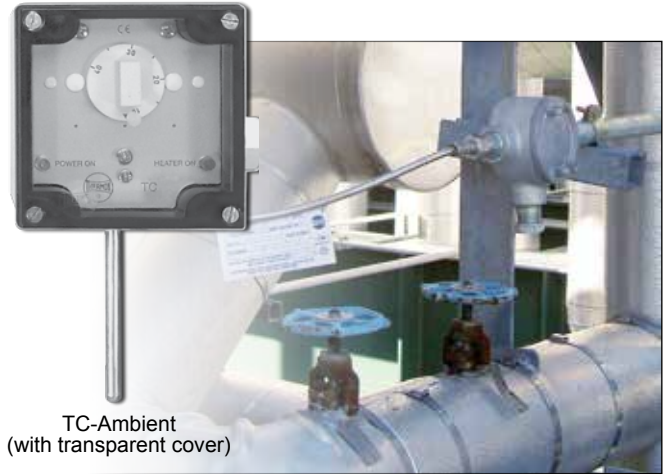
The TC-Ambient thermostat meets requirements for use in nonhazardous locations.

**RATINGS/SPECIFICATIONS**

- Voltage rating..... 400 Vac
- Switch rating
  - 230 Vac ..... 16 A (Ohmic, NC contact)
  - 400 Vac ..... 10 A (Ohmic, NC contact)
- Operating ambient temperature..... -30° to +55° C
- Switch type ..... SPDT
- Electrical connection <sup>1</sup> .....terminal block <sup>2</sup>
- Adjustable control range..... 0°C to 40°C
- Maximum control differential..... ±4°C
- Maximum bulb exposure temperature ..... 130°C
- Bulb dimensions ..... 10 x 120 mm
- Bulb material..... stainless steel
- Approximate weight..... 1.5 kg

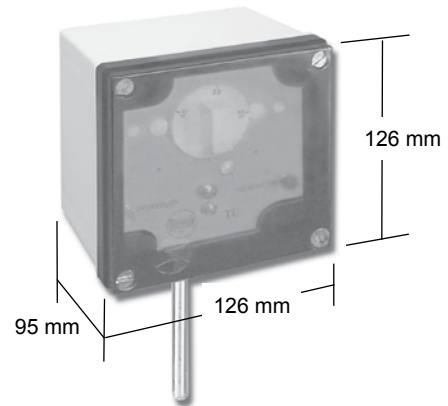
**Notes**

1. The TC-Ambient utilises two M25 entries and is shipped with an M25-PWR-IND power gland and an M25-B-IND blind plug that can be replaced with an M25 gland to permit power or heating cable connection. Refer to Form TEP0057U for additional accessories.
2. Terminal block consists of four 4-mm<sup>2</sup> line/load terminals and one 4-mm<sup>2</sup> PE terminal.



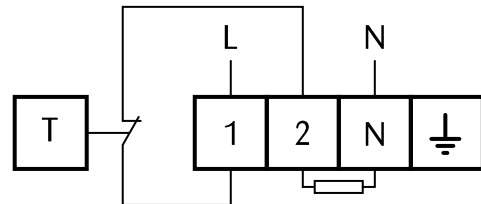
TC-Ambient (with transparent cover)

**CERTIFICATION/APPROVAL**



TC-Ambient (with transparent cover)

**TYPICAL WIRING DIAGRAM**



**THERMON The Heat Tracing Specialists®**



European Headquarters: Boezenweg 25 • PO Box 205 • 2640 AE Pijnacker • The Netherlands • Phone: +31 (0) 15-36 15 37  
 Corporate Headquarters: 100 Thermon Dr • PO Box 609 San Marcos, TX 78667-0609 • Phone: 512-396-5801 • 1-800-820-4328  
 For the Thermon office nearest you visit us at . . . [www.thermon.com](http://www.thermon.com)