



Polycarbonate cover
Protection degree **IP54**
Gray (frame) / Trasparent (door)

For 96x96mm (1/4 DIN) units
Order code **51065**

For 48x96mm (1/8 DIN) units
Order code **51066**



Polycarbonate cover with rubber gasket
Protection degree **IP65**
Gray (frame) / Trasparent (door)

For 96x96mm (1/4 DIN) units
Order code **51064**

For 48x96mm (1/8 DIN) units
Order code **51067**

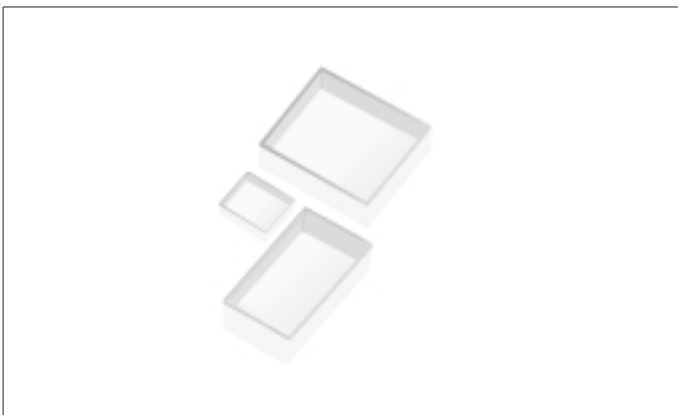


Polycarbonate antidust cover
Transparent color

mod. **CFA110**
for 48x48mm (1/16 DIN) units Order code **51060**

mod. **CFA120**
for 48x96mm (1/8 DIN) units Order code **51061**

mod. **CFA220**
for 96x96mm (1/4 DIN) units Order code **51062**



Sylicon rubber cover
Protection degree **IP65**
Trasparent color

for 48x48mm (1/16 DIN) units Order code **51183**

for 48x96mm (1/8 DIN) units Order code **51185**

for 96x96mm (1/4 DIN) units Order code **51186**

COVER PLATES FOR INSTRUMENTATION



mod. **Q48**
for 45x45mm hole
for 48x48mm (1/16 DIN) units
In self-extinguishing V0 polycarbonate Gray color
Order code **51177**

mod. **Q94**
for 45x93mm hole
for 48x96mm (1/8 DIN) units
In self-extinguishing V0 polycarbonate Gray color
Order code **51178**

mod. **Q96**
for 93x93mm hole
for 96x96mm (1/4 DIN) units
In self-extinguishing V0 polycarbonate Gray color
Order code **51179**

DIN RAIL BRACKET



Base for DIN rail mounting. EN50022
(vertical mounting) (48x48mm)
Order code **51155**

Base for DIN rail mounting. EN50022
(horizontal mounting) (48x96mm)
Order code **51156**

Base for DIN rail mounting (48x48mm) for models
series 800/400/4-40/600
Order code **51399**

Base for DIN rail mounting (48x96mm) for models
series 1600 e 1800
Order code **51479**

CASE REAR WITH SCREW TERMINALS



Case rear 48x48mm, 12 screw terminals,
for 400-401 controllers
Order code **51451**

Case rear 48x48mm, 24 screw terminals, for 600-800 serie
controllers and 4/40 serie indicators format 48x48mm
Order code **51453**

Case rear 96x48mm, 29 screw terminals, for 1600-1800
serie controllers and 40TB indicator
Order code **1105111**

Case rear 96x48mm, 22 screw terminals, for 1200-1300-
2301-3400-4400-3500-4500 controllers format 96x48 and
48x96mm, 2308-2351-4/40 serie indicators format 96x48
and 48x96mm and CLB instrument
Order code **1032099**

Case rear 96x48mm, 21 screw terminals,
for 1000-1001-1101 controllers
Order code **1032095**

CASE REAR WITH FASTON TERMINALS



Case rear 96x48mm, 21 faston terminals,
for 1000-1001-1101 controllers

Order code **1032090**

Case rear 96x48mm, 22 faston terminals, for 2300 indi-
cator and SAL and MD8 instruments

Order code **1032097**

CASE REAR



Case rear 72x36mm, for 4/40 serie indicators format
72x36mm and 40T 72 PID controller

Order code **51330**

PANEL MOUNTING KIT



Panel mounting kit 48x48mm

Order code **51296**



Panel mounting kit 48x96mm and 96x96mm

Order code **49030**



Panel mounting kit 72x36mm

Order code **51331**



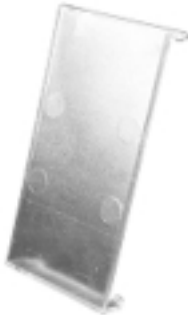
Mounting kit for 55-550-556 instruments

Order code **51250**

CASE REAR COVERS



Case rear covers 48x48mm, 12 and 24 screw terminals
Order code **51294**



Case rear covers 96x48mm, 29 screw terminals
Order code **51328**

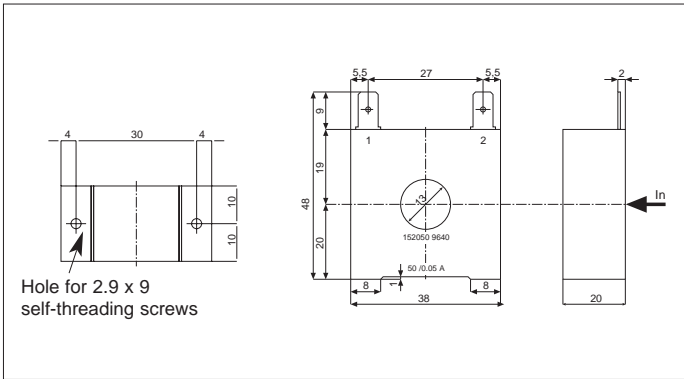


Case rear covers 96x48mm e 96x96mm, 21 and 22
screw terminals
Order code **1032096**



Case rear covers for 55-550-556 instruments
Order code **51078**

CURRENT TRANSFORMER

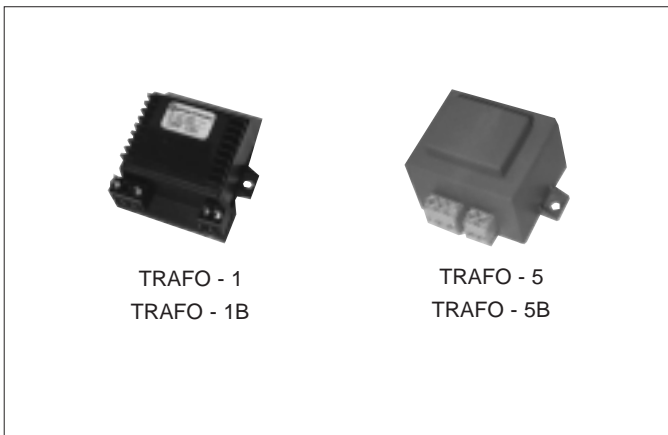


These transformers are used for currents of 50/60 Hz. The main characteristic of these transformers is the high number of turns in the secondary. This provides a very low secondary current, suitable for an electronic measurement circuit. The secondary current can be measured as a voltage on a resistor.

Order code

330200 IN = 50Aac OUT = 50mAac
 330201 IN = 25Aac OUT = 50mAac

POWER TRANSFORMER AND ISOLATION



Transformer for galvanic isolation of power supply.

Dimensions TRAFO - 1 / TRAFO - 1B

L: 58mm **B:** 47mm **H:** 36mm

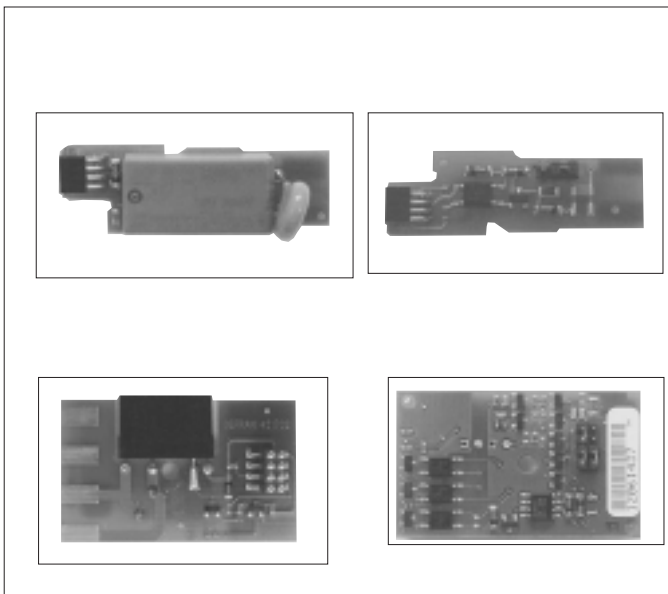
Dimensions TRAFO - 5 / TRAFO - 5B

L: 67mm **B:** 52mm **H:** 45mm

Order code

TRAFO - 1: 3VA transformer, 230/24Vac
 TRAFO - 1B: 3VA transformer, 24/24Vac
 TRAFO - 5: 10VA transformer, 230/24Vac
 TRAFO - 5B: 10VA transformer, 24/24Vac

INTERCHANGEABLE ELEMENTS for CONTROLLER VERSION 600



Board I/O optionals (expansions)

Output 2

R-600-A Relay output - type A
 D-600-A Logic output - type A
 T-600-A Triac output 1A - type A
 M-600-A Digital insulated - type A

Output 3 / Input

R-600-B Relay output - type B
 D-600-B Logic output - type B
 C-600-B Continuous output - type B
 W-600-B Analog output - type B
 H-600-B CT input 50mA - type B
 N-600-B Digital input - type B
 M-600-B Digital insulated - type B

Digital communication / Output 4

2-600-C Seriale output - type C
 R-600-C Relay output - type C

GEFRAN spa reserves the right to make any kind of design or functional modification at any moment without prior notice