

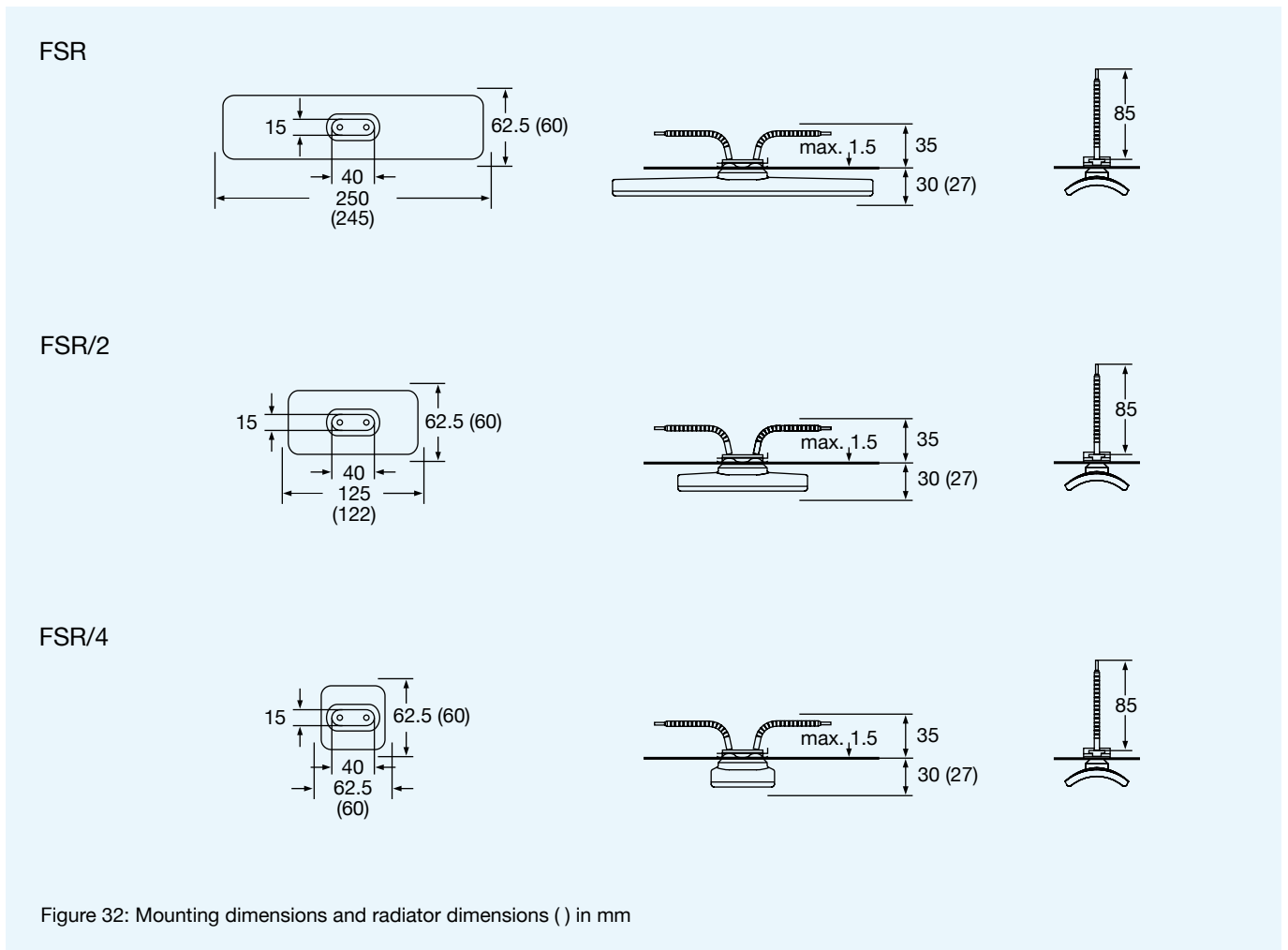
Figure 31: Elstein FSR series

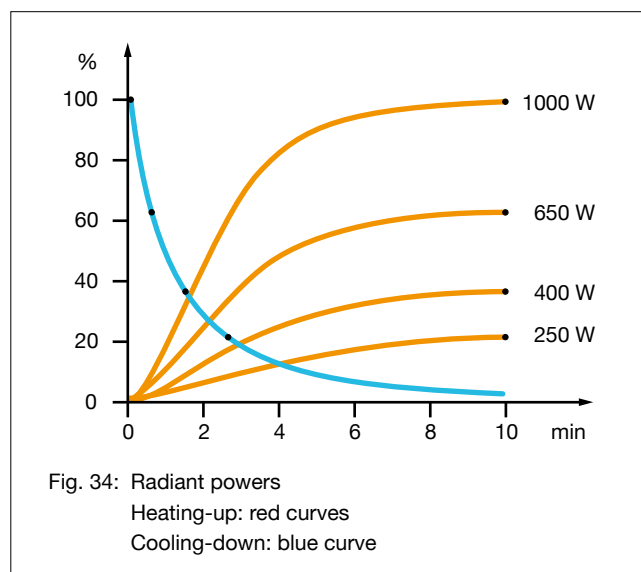
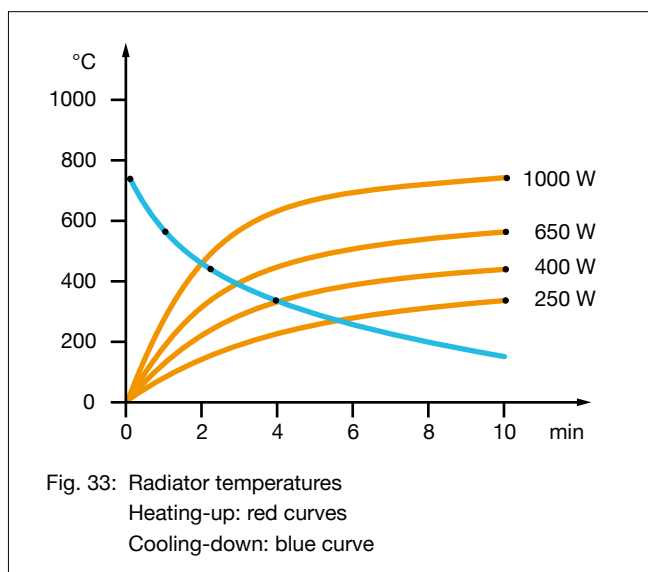
Elstein FSR panel radiators are ceramic infrared radiators, which are designed for operating temperatures up to 720 °C. Surface ratings of up to 64 kW/m² can be installed.

FSR series radiators are made using a full-pour casting ceramic process and are characterised by their concave design. Due to the design of this type, there is a space between the radiator and mounting plate, which reduces the heat absorbed by the wiring space.


FSR panel radiators can be used universally and are suitable for assembling radiation areas with any geometry required. They are available in three designs and cover the power range from 60 W to 1000 W.

With its FSR panel radiators, the company Elstein-Werk has been setting design, type, power and quality standards, recognised worldwide since 1952, for ceramic infrared panel radiators.





| | | | | | | | |
|---------------------------------|-------|-------|--------|------|------|------|-------------------|
| Type, weight, wattage | FSR | 220 g | 250 | 400 | 650 | 1000 | W |
| | FSR/2 | 125 g | 125 | 200 | 325 | 500 | W |
| | FSR/4 | 75 g | 60 | 100 | 200 | 250 | W |
| Surface rating | | | 16.0 | 25.6 | 41.6 | 64.0 | kW/m ² |
| Typical operating temperature | | | 400 | 500 | 620 | 720 | °C |
| Maximum permissible temperature | | | 750 | 750 | 750 | 750 | °C |
| Wavelength range | | | 2 - 10 | | | | μm |

| Standard design | Thermocouple radiators | Variants |
|--|--|---|
| Operating voltage 230 V Ceramic full-pour casting Leads 85 mm Elstein standard socket Mounting set | Designation T-FSR, T-FSR/2, T-FSR/4 Integrated thermocouple Type K (NiCr-Ni) TC leads 100 mm  | Special wattages Special voltages Extended leads Leads with ring terminals |

The power can be controlled using thermocouple radiators together with TRD 1 temperature controllers, TSE thyristor switching units and other accessories.

IR radiation areas can be assembled using REO reflectors, REF construction sets, EBF and EBI construction elements as well as MBO mounting sheets.

The national safety regulations must be complied with for the respective application, for example, the IEC or EN standard 60519-1, Safety in electrical heating installations.

Our instructions for mounting, operation and safety must be observed.